

Desk sign QUPT tactile

with tactile building ground plans
and relief lettering



Σ quintessenz

Desk sign QUPT tactile

Overview panels in desk form serve
all users equally



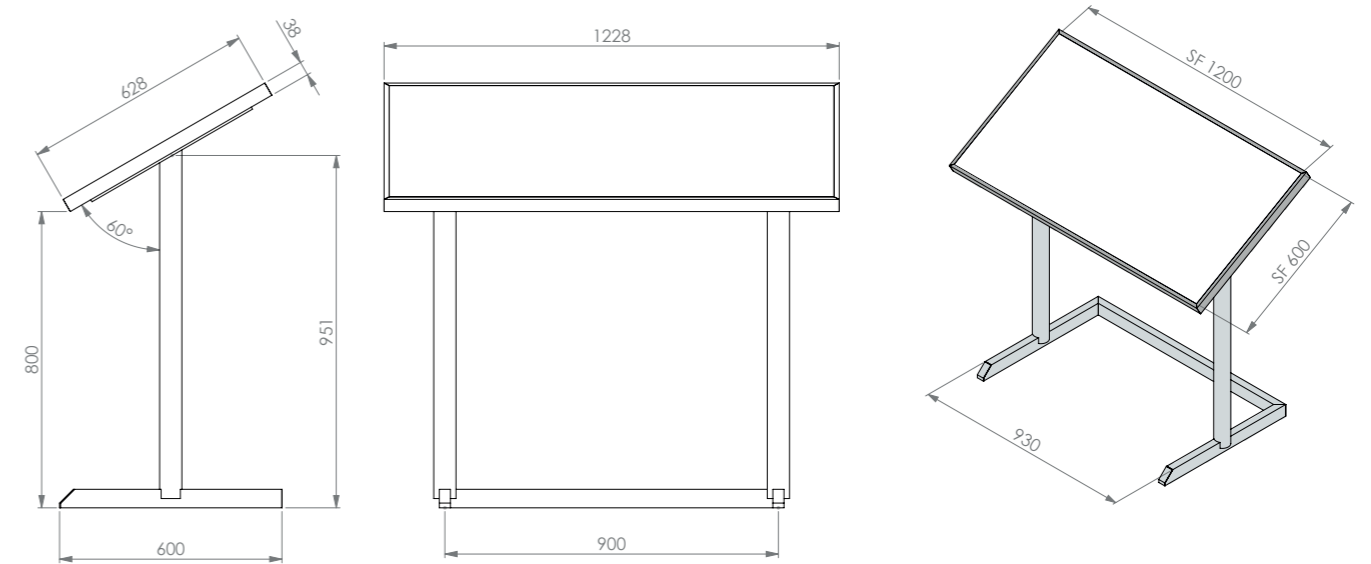
Σ quintessenz



Integrative guidance systems serve visually impaired and mobility-impaired people as well as sighted and mobile people. The quintessenz system desk stands offer ideal conditions for the barrier-free arrangement of tactile plans and tactile information.

Barrier-free readable information

Visually impaired people and wheelchair users depend on the information being ergonomically accessible. The front edge must be at least 800 mm above the top edge of the finished floor, and the clear width between two supports is 870 mm clearance to pass underneath as standard.



Standard version

- The base / pedestal is made of stainless steel V2A matt brushed and has an outer width of 930 mm.
- The standard height of the desk surface of 600 mm is ergonomic.
- The width for the tactile site plans can be selected from 1,000 to 1,500 mm.
- The angle of inclination of the tactile plan is 60 °.
- The base plate is white, raised building parts are lacquered in RAL 7015 silk matt.
- The all-round aluminium frame profile is silver anodised (E6/EV1).



Can also be used outdoors

Tactile desk signs can also be designed for outdoor use, see data sheet quintessenz outdoor signs desk form QAP as version with tactile plan QAPT.



QUPT 60120	QUPT 60120	QUPT 60120	
QUP stands for quintessence Overview boards desk form	T Tactile plan	60 height in cm 120 width in cm	Other dimensions are also possible. The frame profile can be offered in stainless steel.
Article description	Variants	Desk area	Custom made