

Variable Information Table Display RVT

The round profiles on the sides allow the insertion of individual text inserts.



Variable Information Table Display RVT

Significant round elements continue the consistent design of the guidance system on a small scale.



rohr+fläche

rohr+fläche

The free-standing table stand of the **rohr+fläche** system is available in three standard dimensions. It thus offers the optimum options for every requirement, whether in portrait, landscape or square format. The photo shows a table stand with 200 mm height and 200 mm width.

At customer counters, registration desks or at meetings, you often want to visibly present the name of the person in question. This task is fulfilled by the small table displays in the size of the normal door signs. For messages on counters or at counters larger formats are needed, for this the displays in the format of the large door sign and the DIN A4 interchangeable frame are intended.

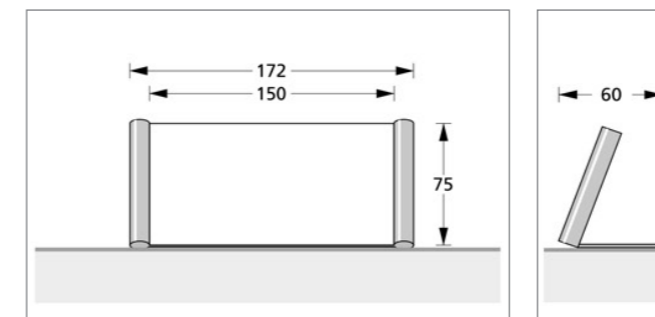
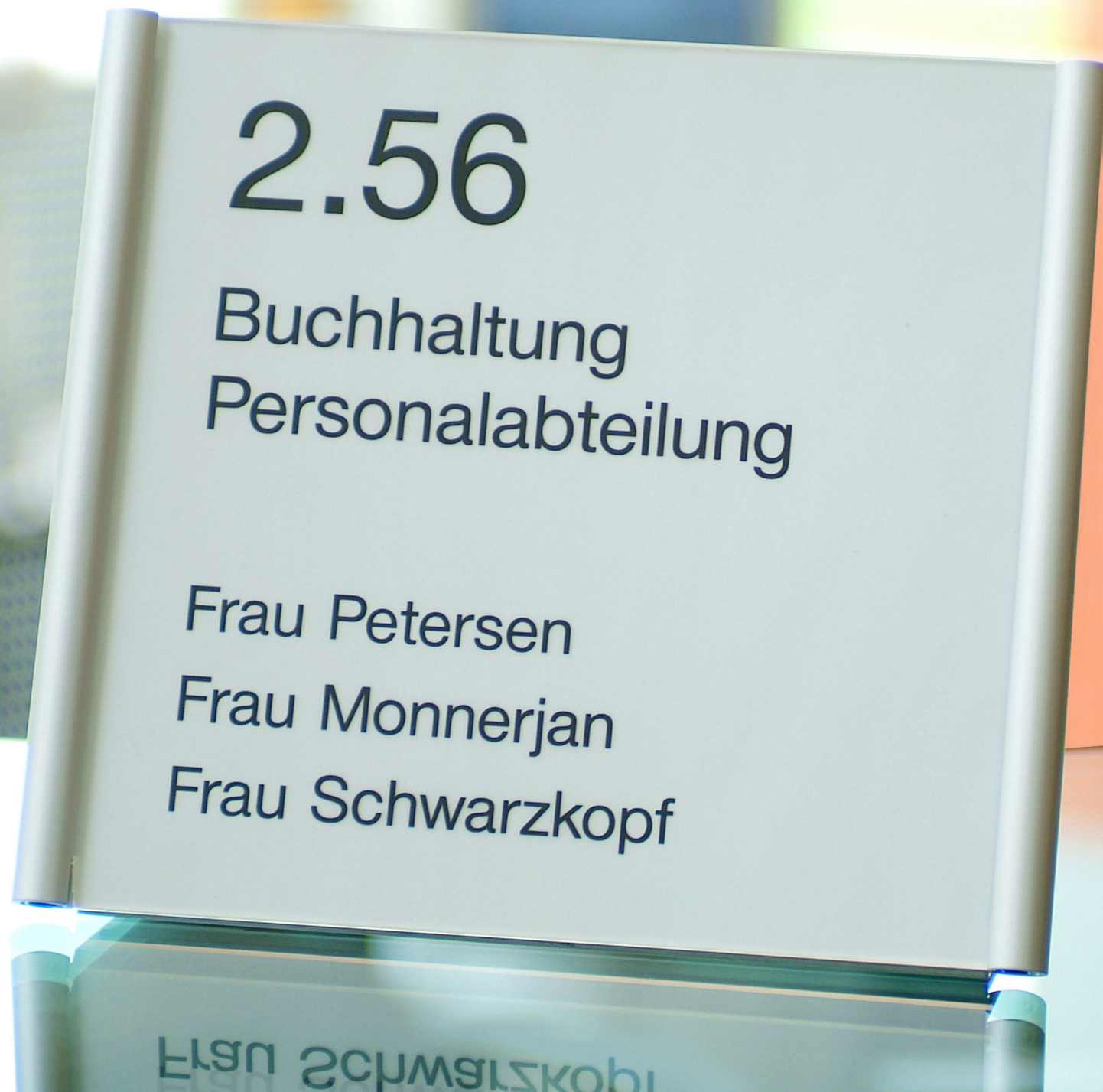
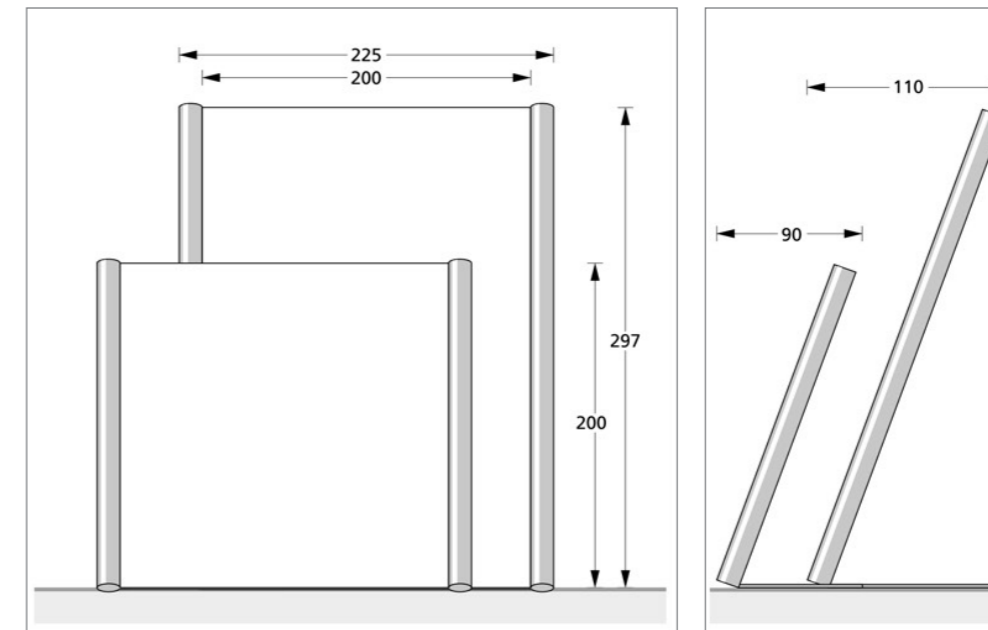


Table stand small

Use for example as:

- Name plate
- Info display:
„Currently not occupied“
„Please queue on the left“
- Pictogram display:
„No smoking“
„Please be discreet“



Standard sizes

Data in mm

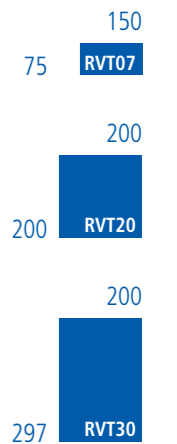


Table stand large

Use for example as:

- Info display:
„Currently not occupied“
„Please queue on the left“
- Pictogram display:
„No smoking“
„Please be discreet“

DIN A4 display stand

Use for example for:

- Exchange rates
Menus
- Brochure presentation
- Terms of business

RVT 07 L	RVT 07 L	RVT 07 L
RVT stands for rohr+fläche variable information table display	07 Nominal dimension in cm, Heigh 75 mm, Width 150 mm 20 Nominal dimension in cm, Heigh 200 mm, Width 200 mm 30 Nominal dimension in cm, Heigh 297 mm, Width 200 mm	S Silver anodized L Lacquered
Article description	Size	Surface of the tubes