

Door sign stainless steel RTE

Stainless steel door signs with the lightness of a material-economical design.



Door sign stainless steel RTE

Changing markings without tools marking change couldn't be easier.



rohr+fläche

The narrow format of the **rohr+fläche** door sign also fits wherever there is little space available next to the door. In addition, it can be opened to the front without tools. High-quality material appearance in the best price-performance ratio.

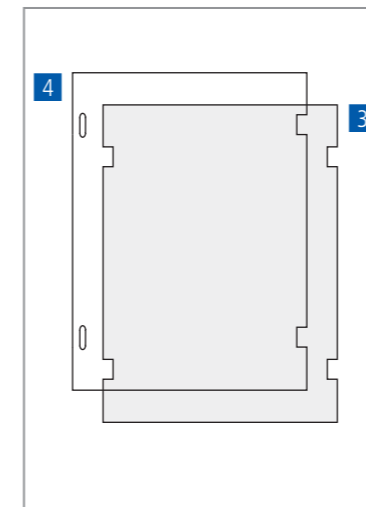


06/2026 ■ www.meng.de

rohr+fläche

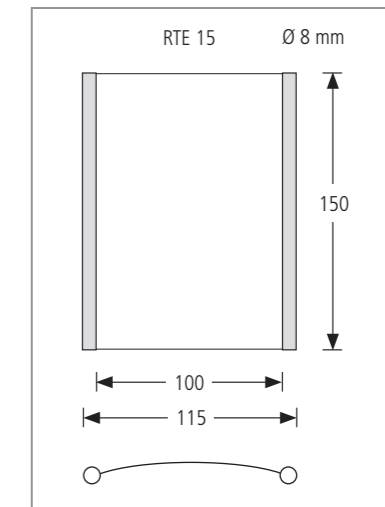
The small, fine door sign made of stainless steel. An affordable door sign made of this material was a futile demand of many architects. However, stair railings, door handles and other building elements made of stainless steel with a fine brushed surface require an adequate solution in door signs. With the lightness of a discreet design and the gentle curvature of its surface, this door sign fits perfectly

with modern architecture. The round elements on the sides form significant lines, while the frosted curvature supports the three-dimensional reproduction of names and room designations. Due to the discreet format and the simple, quick inscription, the sign is also suitable for small markings. The sign is alternatively available in a lacquered version or with an additional interchangeable slider.



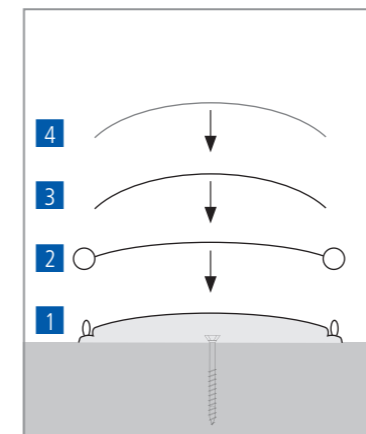
Self labeling

The insert sheets are available as pre-cut DIN A4 pages that can be labeled with any printer. The information carrier is protected by a non-reflective Lexan film.



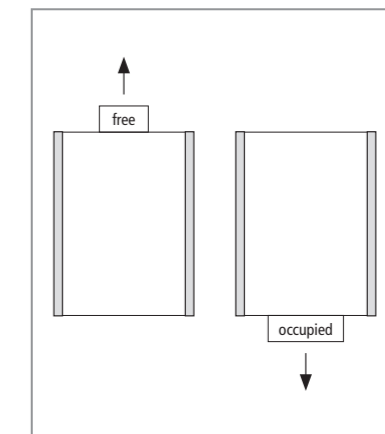
Material Economics

The stainless steel shield of the system **rohr+fläche** surprises with its material economy. By using tensioned stainless steel, a high degree of stability is achieved with low weight. The stainless steel sheet has a thickness of only 0.5 mm.



Dowel or Adhesive mounting

The assembly of the sign is very simple. The mounting plate is usually mounted by dowel, but can also be glued. The sign with insert sheet and transparent film is slid on without tools and snaps into place.



Change display

The stainless steel shield can be ordered with a manual change slider.

Article number:
RTEW 15

RTE 15 L	RTE 15 L	RTE 15 L	RTEW 15 L
RTE stands for rohr+fläche door sign stainless steel	15 Height in cm 10 Width in cm	... without letter: stainless steel L Lacquered	RTEW stands for rohr+fläche door sign stainless steel with change slider
Article description	Size	Surface of the tubes	Variant