

## Flag sign transparenz TNF

Transparent floating information convey lasting elegance.

### transparenz

Compared to the classic glass signs with four fastening screws, the signs in the System **transparenz** convince with their concealed fastening. The inscription surface conveys a transparent floating design, which is the special charm of the glass signs.

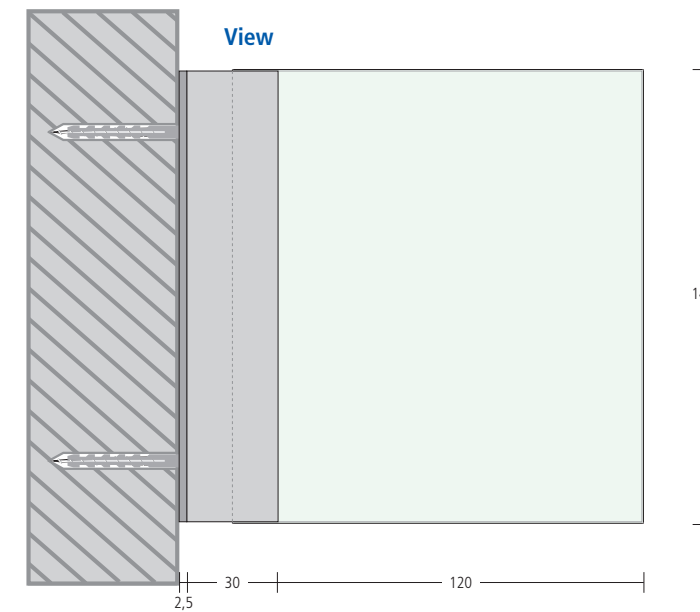


## Flag sign transparenz TNF

The innovative glass clamping function reduces the installation intervention in the building structure.

### transparenz

In corridors, higher-level destinations are often not perceptible. Normal door sign information is not in the line of sight and is no longer recognizable from a few meters away. This starts the search for the staircase, toilets, elevators and the info point. Transparent signs offer the advantage that pictograms can be seen from both sides. However, as soon as texts are displayed, there must be an opaque layer in between. Text that is recognizable as a mirror image would make interpretation much more difficult.

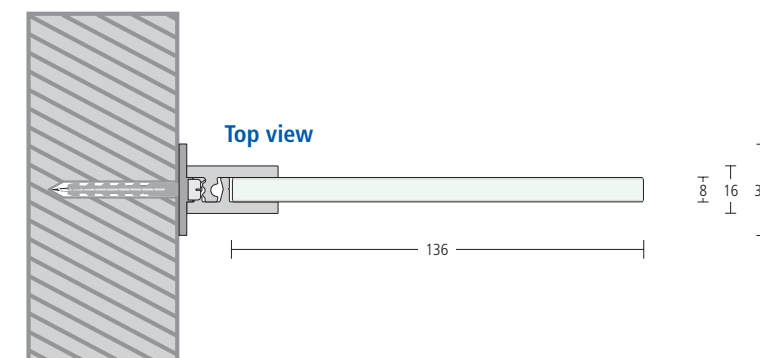


#### Function

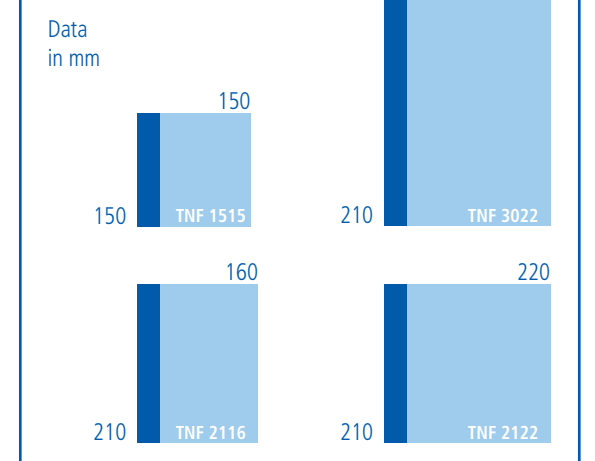
The sophisticated surface clamping of the transparenz system allows screw-free visible surfaces that can be incorporated into the graphic and color design. The mechanism allows surface materials up to 8 mm total thickness to be clamped. Paper flexibility is not required for flag signs, as this information is hardly interchangeable.

#### Dimensions

The metal wall mount looks filigree with 30 mm width and 16 mm total thickness. With 8 mm, the clamped surface material is reliably stable and yet much slimmer than other systems. The design allows, apart from the selected standard formats, individual dimensions, the limits of which are mainly seen in the leverage and weight effect on the wall substance.



#### Standard sizes



#### Material

The wall mounting unit is made of extruded aluminum system profiles, the connecting parts are made of stainless steel.

Article description	Surface material	Size	System profile color
<b>TNFG 1515 S</b> TNF describes the transparenz flag sign	<b>K</b> Crystal clear acrylic <b>G</b> Glass look acrylic	<b>15</b> Height in cm <b>15</b> Width in cm	<b>S</b> Silver anodized <b>L</b> Lacquered