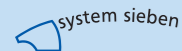


Variable information interchangeable modules SVM

Quick exchange of the individual inserters possible without any problems.

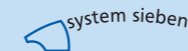


DIN standard sizes

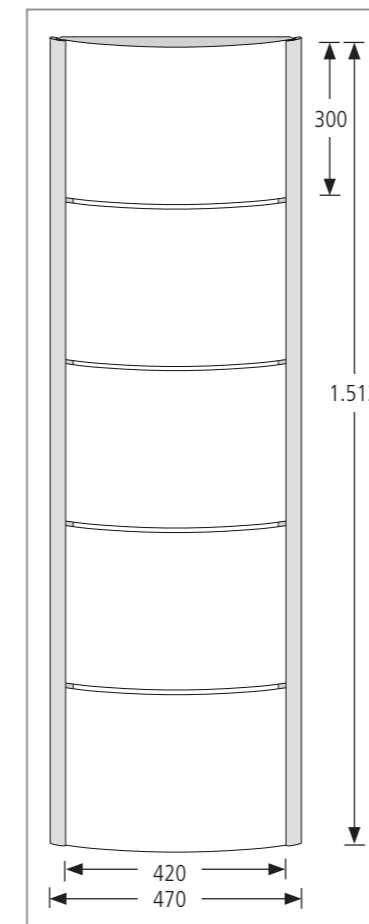
By using the inserts with DIN A3 and DIN A4 standard sizes, the customer can easily and quickly replace the contents by placing self-printed printouts in them again.

Variable information interchangeable modules SVM

Adapted to each situation to ensure a constant change of information.



The organization of trade fairs, congresses and similar events requires a high degree of labeling flexibility. The content often has to be updated at the last minute, but even so, this information should not appear provisional. The interchangeable modules from **system sieben** provide a professional framework for elegant and flexible labeling. With a PC and a good printer, contour-sharp texts and graphics can be printed out, either immediately in the final format or enlarged to DIN A3 by copier. With a few simple steps and without tools, the papers can be stretched behind an anti-reflective cover. The curvature and tension of the material ensure a smooth fit. The system offers wall-mounted and free-standing, mobile solutions.



Interchangeable module wall mounted with DIN A3 modules

In a grid of DIN A3 landscape formats (297 x 420 mm), these signs can be produced in various heights. (See the adjacent table.) For larger information boards, several signs can be mounted next to each other. Article number of the example: SVM 15042 S for silver anodized profiles. Interchangeable modules for DIN A2 formats are available as a system variant with height 420 mm and width 585 mm.

Heights

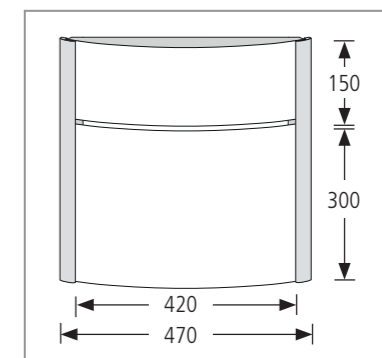
The height results from the module grid, which is based on the DIN A3 format.

Total heights:	Nominal dimension:
1 modul = 304 mm	300 mm
2 modules = 606 mm	600 mm
3 modules = 908 mm	900 mm
4 modules = 1.210 mm	1.200 mm
5 modules = 1.512 mm	1.500 mm

Head module

When a head module is installed, the overall height increases by 152 mm and the nominal dimension by 150 mm:

1 Modul = 456 mm	450 mm
2 Module = 758 mm	750 mm
3 Module = 1.060 mm	1.050 mm
4 Module = 1.362 mm	1.350 mm
5 Module = 1.664 mm	1.650 mm



Interchangeable module wall mounted with head module

Part number of the example: SVM 4542 S for silver anodized profiles. Design: One module plus head panel.

SVM 15042 S	SVM 15042 S	SVM 15042 S	SVM 15042 S
SV stands for the system sieben variable informationen	SVM Interchangeable modules	150 Height in cm* 42 Width in cm	S Silver anodized L Lacquered
Article description	Construction, surface material	Size	Color system profiles
	Two-layer information surface made of painted aluminum sheet with cover pane acrylic antireflex 1.5 mm.	*Nominal dimension, the actual height is 1,512 mm = 5 modules	