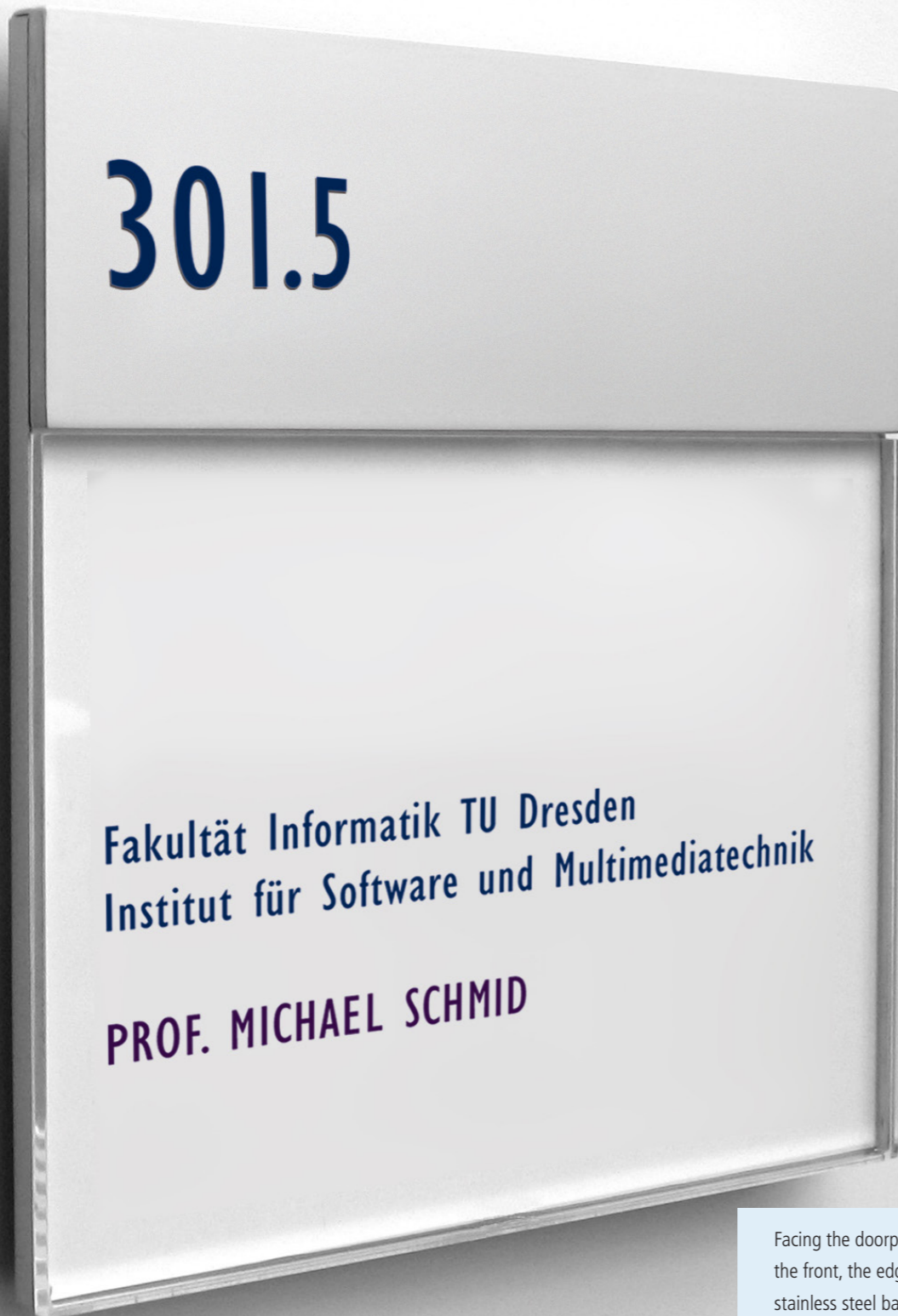


## Doorplate with head panel QTEAK

This model of the quintessenz - doorplate appears absolutely monolithic.



Σ quintessenz



Facing the doorplate from the front, the edges of the stainless steel base are fully covered and the visible diamond polished edges of the acrylic cover give a sharp square look.

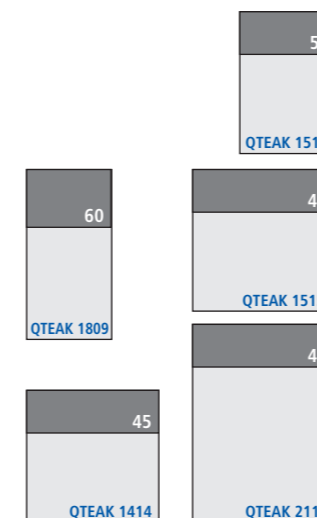
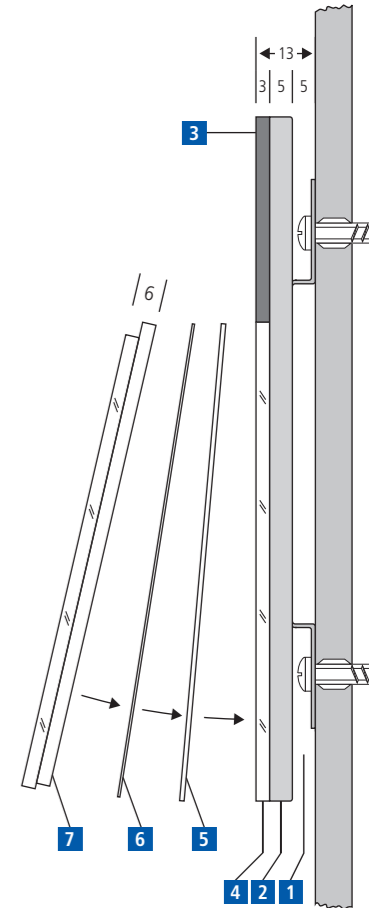
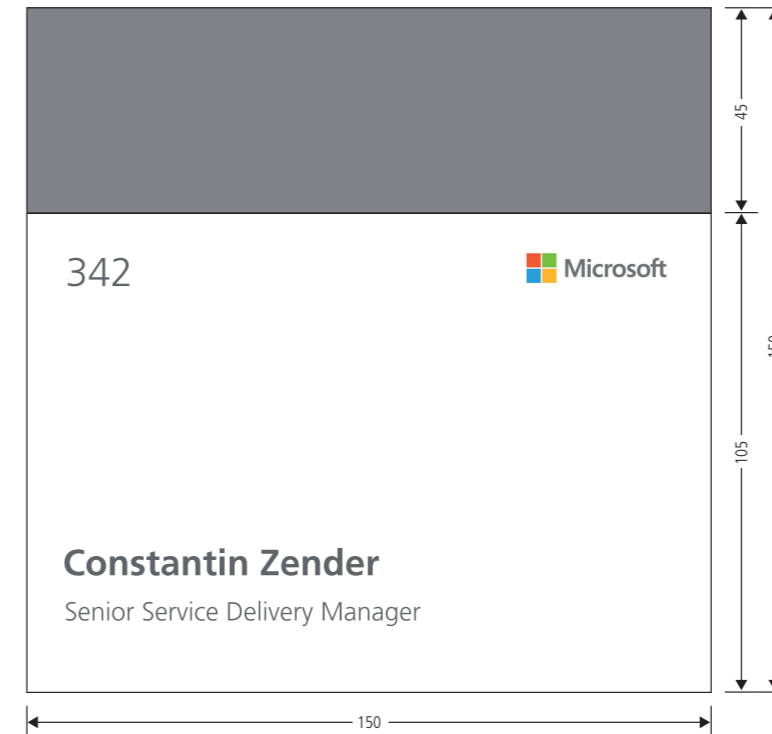
04.2019 ■ © design and model copyright protected ■ www.meng.de

## Doorplate with head panel QTEAK

The clip-function hidden behind the metal plate leaves no trace of the revision method.



Σ quintessenz



- 1 The distance of 5 mm to the wall, creates a light and elegant visual appearance. With the offset mounting strap on the backside the sign can be easily mounted with screws or adhesive tape.
- 2 The body with a visible edge of only 5 mm brushed stainless steel appears very slim and significant.
- 3 The surface is partitioned in a metal surface for permanent caption such as room numbers and tactile lettering.
- 4 The clear part is removable to change individual labeled vinyl or paper inlets.

- 5 The white plastic inserts are used as coversheets to hide the mounting and to create a neutral background for printed inlets that are transparent or semi-transparent.
- 6 Beside the use of common paper inlets we offer a pre-cut paper which can be used with any laser jet printer. We also offer WINDOWS – WORD based templates.
- 7 The clear coversheet can be easily removed by using the small suction cup (provided). Someone who knows how it works, will be able to revise without this tool...

| QTEAK        | h x w      |
|--------------|------------|
| QTEAK 21 15  | 210 x 150  |
| QTEAK 15 10  | 150 x 100  |
| QTEAK 14 14  | 140 x 140  |
| QTEAK 15 15  | 150 x 150  |
| QTEAK 09 18  | 90 x 180   |
| product code | millimeter |