

Signpost wall mounted RW

Significant round elements characterize the consistent design of the guidance system.



rohr+fläche



The wall-mounted signposts of the **rohr+fläche** system are available in a wide range of different materials, dimensions and designs. This means that practically no situation is conceivable in which a costly custom design would be required. The surface design of the signs with lettering, signs, arrows, color and graphics can be individually adapted to the customer. The significant round elements form the recurring identity in all parts belonging to the signage system. The photo shows a signpost with 450 mm height and 600 mm width.

03/2022 ■ ■ ■ www.meng.de

Signpost wall mounted RW

The lateral round profiles enable the insertion of individual surfaces up to 8 mm thick.



rohr+fläche

Wall signs at ergonomic viewing height achieve a higher attention rate than ceiling-hung signs. Unlike stenciled texts on the walls, the content can be updated easily and cost-effectively. Already the shape of the **rohr+fläche** signs distinguishes them from pictures and wall graphics. Thus they are also interpreted in the perception as information surfaces of the guidance system.

Example

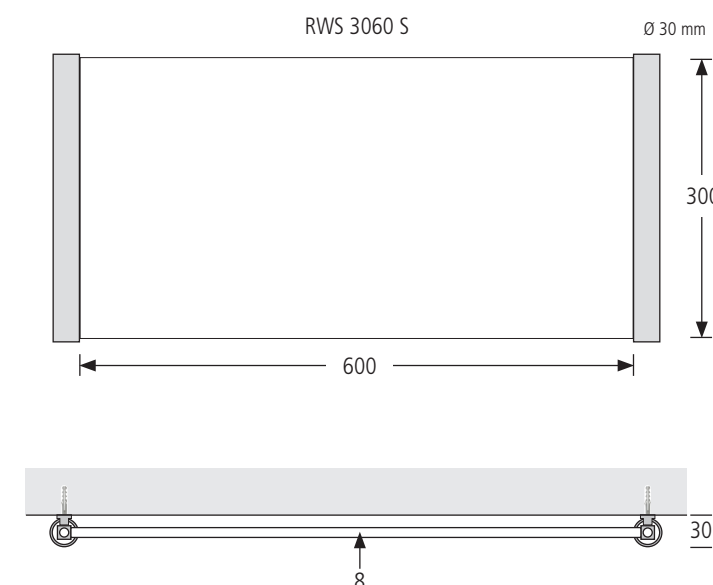
The photo shows a continuous information surface with a dividing line. The area can also be divided into several panels and divided by spacers. In addition to the standard dimensions in the modular grid, special designs are also available on request. Part number RWA 6045 R for a surface made of painted aluminum.

Wall mounting

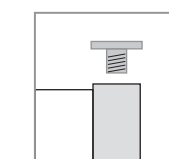
First, two wall mounting rails are doweled on at a defined distance. The two round profiles with a diameter of 30 mm are put on and the lower covers are screwed in. The information panels are now inserted into the slots from above and secured against removal with the upper lids.

Securing

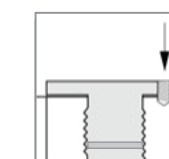
In the case of elaborate outdoor signs, for example with coats of arms or plaques, the screwed-in covers can be additionally secured against removal with an M3 stainless steel stud screw.



Top cover to secure against removal



Additionally with a M3 stainless steel stud screw



Standard sizes

Data in mm	300	450	600	750	900	1.200
150		RW..1545	RW..1560	RWA1575	RWA1590	RWA15120
200		RW..2045	RW..2060	RW..2075	RW..2090	
300	RW..3030	RW..3045	RW..3060	RW..3075	RW..3090	RW..30120
450		RW..4545	RW..4560	RW..4575	RW..4590	RW..45120

Panel sizes

For stability reasons, long, narrow panels are only recommended to be made of aluminum (RWA). A modular design with individual panels on top of each other and several columns next to each other is also possible. For large, one-piece panels, the floor or ceiling height must be taken into account, as these are inserted into the tubes from above or below.

Article description	Surface material	Size	Surface of the tubes	Customized
RWA 4560 L RW stands for rohr+fläche wall mounted signpost	RWA Aluminum RWK clear acrylic RWF solid white acrylic RWH backed acrylic RWE Stainless steel, ground RWS Sandwich construction: Aluminum plate with acrylic cover	60 Height in cm 45 Width in cm	S Silver anodized L Lacquered	Larger elements are also possible.